



DK SPEC

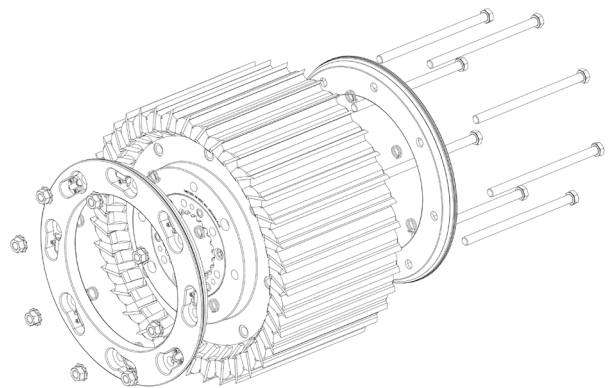
NG2 PLANER HEAD

HIGH PERFORMANCE

- MORE KNIVES PER HEAD
- FEED SPEED DEMONSTRATED UP TO 4000 FEET/MINUTE
- SET-UP TIME REDUCED BY 50%

SAFETY AND VERSATILITY

- MECHANICALLY LOCKED AT 100%
- DESIGNED FOR FLAT AND CORRUGATED KNIVES
- DESIGNED FOR HIGH-SPEED PLANERS ON THE MARKET



PATENT PENDING 61/872,998



1060, chemin Olivier, Saint-Nicolas (Québec) G7A 2M8, Telephone (418) 831-3333 Fax (418) 831-0201
Toll Free : 1-888-686-3847 email : info@dkspec.com

